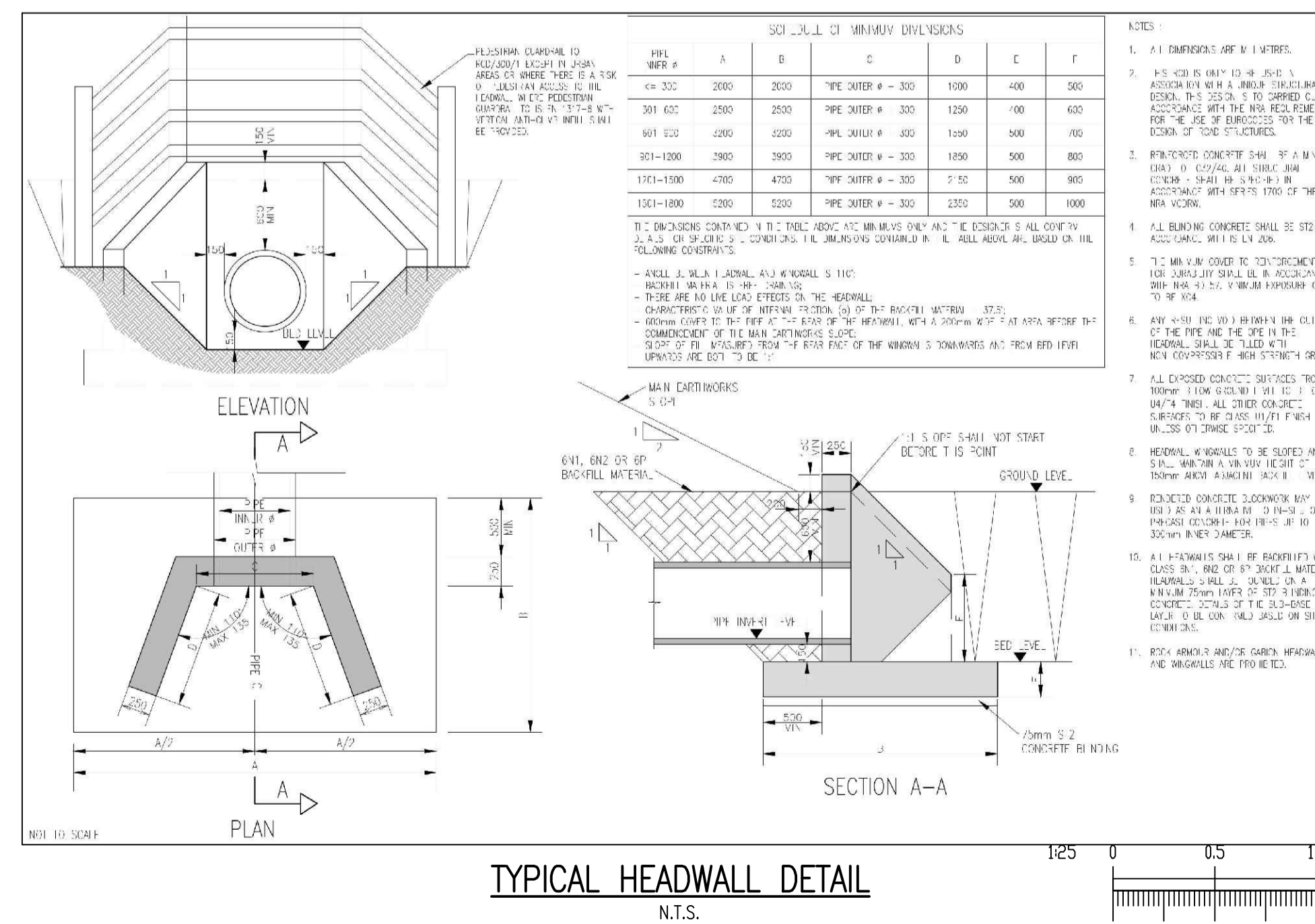
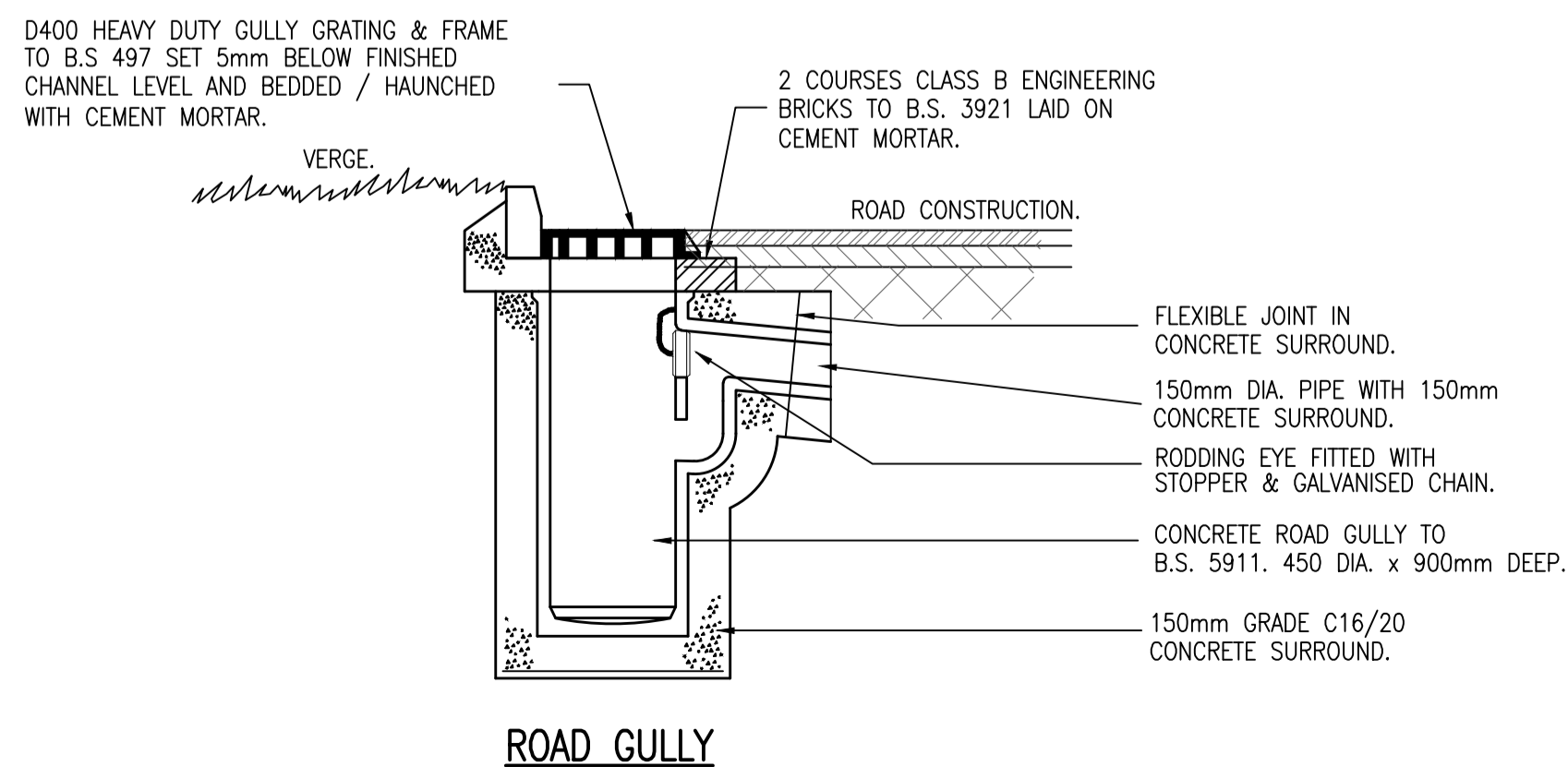


DIAMETER OF LARGEST PIPE IN MANHOLE	PRECAST CONCRETE RING SIZE
LESS THAN 375mm	1200mm DIA
375mm TO 450mm	1350mm DIA
500mm TO 700mm	1500mm DIA
750mm TO 900mm	1800mm DIA
900mm TO 1200mm	2100mm DIA

NOTE: SIZES GIVEN IN TABLE ABOVE ARE MINIMUM SIZES ASSUMING A STRAIGHT RUN AND A SINGLE CONNECTION. THESE SIZES SHOULD BE INCREASED TO SUIT MULTIPLE CONNECTIONS AND ASSUMED SEWER ENTRY/EXITS.



This drawing should not be scaled. Dimensions to be verified on site. Any discrepancies should be referred to the Engineer prior to work being put in hand. This drawing is the property of Waterman Moylan Consulting Engineers Limited and is issued on the condition that it is not copied, reproduced, retained or disclosed to any unauthorized person, either wholly or in part without the consent in writing of Waterman Moylan Consulting Engineers Limited. Block S, East Point Business Park, Dublin D03 H3F4 Ireland. 1+353 1 864 8900.

- NOTES:
- DO NOT SCALE. USE FIGURED DIMENSIONS ONLY.
 - THIS DRAWING IS TO BE READ IN CONJUNCTION WITH ALL OTHER RELEVANT ARCHITECTURAL AND ENGINEERING DRAWINGS.

Rev	Date	Description	By	CHK
Amendments				
Project				
KILSHANE POWER STATION				
Title				
PUBLIC STORMWATER DRAINAGE CONSTRUCTION DETAILS				
Client				
KILSHANE ENERGY LTD.				
BLOCK S, EASTPOINT BUSINESS PARK, ALFIE BYRNE ROAD, DUBLIN D03 H3F4 IRELAND. Tel: (01) 864 8900 Email: info@waterman-moylan.ie www.waterman-moylan.ie				
Status				
FOR PLANNING				
Designed By	KM	Approved	MD	Waterman Ref
				25-046
Drawn By	PJD	Date	MAY 2026	Scale @ A1
				1:25
Project - Originator - Volume - Level - Type - Role - Number				Revision
KPS - WMC - PH1 - 00 - DR - C - P210				-